

CI/SFB	(31.5)
April 2016	

Protecting properties
since 1985



SeceuroDoor
Industrial Doors





Welcome to the SeceuroDoor range of steel Commercial & Industrial Doors

SWS UK products have been protecting properties since 1985.

Our steel commercial and industrial doors are a robust alternative to our aluminium range of security products and still offer versatility through the ultimate choice our complete range offers. Encompassed within the range are single skin industrial doors and insulated industrial doors. In addition, we offer hand chain operated industrial doors, steel insulated doors with tubular motors and a wide choice of industrial door motors including GfA. Choose your product, then simply pick your preferred motor. A wide choice of colours and finishes are available and by the use of different gauge slats we are able to accommodate even larger sizes than ever before.

All SeceuroDoor products are:

- ✓ CE marked – Investing in a CE marked product means you are purchasing a product that is fully compliant with all European directives
- ✓ Approved LPCB products available
- ✓ SWS UK is an ISO9001 and ISO14001 Certified Company
- ✓ Manufactured in the UK
- ✓ Made to measure for a tailor made solution



Reasons to Choose SeceuroDoor

✓ A name you can trust

When buying a SeceuroDoor product you can be reassured by the values behind the name. Every SeceuroDoor shutter is CE marked and SWS UK is an ISO9001 and ISO14001 Certified Company.

✓ Expert advice

With a full-time technical team, field support and a 24 hour helpline on hand you can be confident in choosing a product with first class backup and service.

✓ Manufactured in the UK

Using the latest machinery and equipment, all SeceuroDoor products are proudly manufactured and assembled in either our Lancaster or London factory.

✓ A solution for everyone

With so much choice SeceuroDoor products can accommodate most industrial door requirements, whether you need insulation, vision, or are looking for a solution for a specific budget.

✓ Engineered to perfection

Through continuous development and specialist engineering, SeceuroDoor products offer unrivalled quality and the most advanced specifications. High emphasis is placed on ease of fitting and flexibility on site.

Features and Benefits

- Choice of motors
- Universal, laser-cut, folded endplate (giving greater strength)
- Angles pre slotted for inset & outset
- Predrilled guide channels with low profile bolts
- Welded tabs as standard to correct coning issues & prevent slat jump if the limits are lost
- Axle predrilled & RivNuts, instead of welded nuts or studs, for ease of installation
- Slotted top slat instead of attachment strips for greater flexibility on site
- Introduction of 350 mm box & endplate for lower headroom requirements which also brings the axle better in line with the guides on smaller doors

SeceuroDoor Product Matrix

		Overall Maximum Sizes (mm)	Slats		Motors				Insurance Approved	Heat Transmission W/m ² K	Wicket Door	Vision	Standard Colour	RAL Option	Plastisol Option	Safety Edge
			Single Skin Slat	Insulated Slat	Tube Motor	Inboard Motor	Direct Drive Motor	Manual Option								
Tubular	SeceuroShield Continental 75	5800 x 3400	●		●			●		N/A		●	White, Black, Brown, Cream, Galvanised	●	●	●
	SeceuroShield Traditional 75	7000 x 5000	●		●			●		N/A	●	●	White, Black, Brown, Cream, Galvanised	●	●	●
	SeceuroShield 7501	6000 x 4800	●		●			●	●	N/A		● (Perf only)	White, Black, Brown, Cream, Galvanised	●	●	
	SeceuroDoor 77t	6000 x 3400		●	●					4.01			Galvanised	●		●
		Clear Opening Maximum Sizes (mm)	Single Skin Slat	Insulated Slat	Tube Motor	Inboard Motor	Direct Drive Motor	Manual Option	Insurance Approved	Heat Transmission W/m ² K	Wicket Door	Vision	Standard Colour	RAL Option	Plastisol Option	Safety Edge
Industrial	SeceuroDoor 75 Single Skin	7000 x 7000	●			●	●			N/A	●	●	Galvanised	●	●	●
	SeceuroDoor 77 Insulated	20 m ² (Max width 6 m)		●		●	●			4.01			Galvanised	●		●
	SeceuroDoor 95 Insulated	7000 x 7000		●		●	●			3.9		●	Galvanised	●		●
	SeceuroDoor 100 Insulated	7000 x 7000		●		●	●			TBC		●	Galvanised	●	●	●
Manual	SeceuroDoor 75c Chain Op	5000 x 5000	●					●		N/A	●	●	White, Black, Brown, Cream, Galvanised	●	●	
	SeceuroDoor 77c Chain Op	5000 x 4000		●				●		4.01			Galvanised	●		

Galvanised Steel Single Skin Continental Commercial Shutter

- This is our original commercial shutter
- White, Brown, Black and Cream as standard
- Available in electric or manual operation
- Available in 18g (POA), 20g and 22g
- Strong single skin galvanised steel profile
- Can be powder coated any RAL / BS colour
- Will reverse coil if required (will increase coil size)
- Plastisol colours available
- Manual Spring & Lock – When there is no power available for electric operation or the shutter will not be opened very often. The solution is not available for shutters over 2.8 m tall.
- Max width up to 5800 mm
- Max height up to 3400 mm
- Max area up to 20 m²
- Wind class rating: Class 3 (when used on 65 mm+ guides)

Vision option available

- Delivers up to 25% vision (when back lit)
- Can be mixed with solid SeceuroShield 75 when only partial vision is required

Galvanised Steel Single Skin Traditional Commercial Shutter

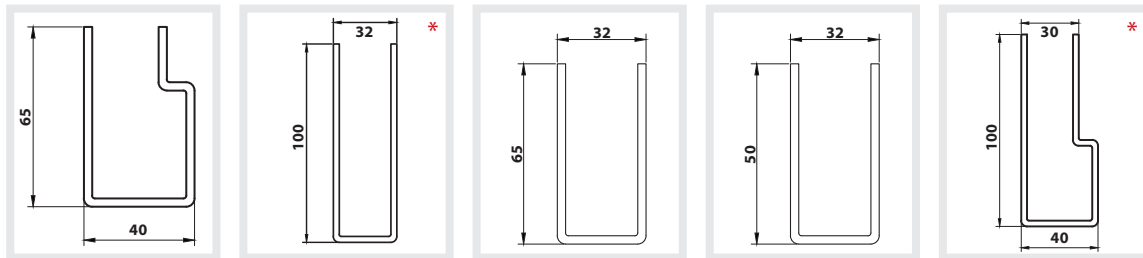
- Strong single skin galvanised steel profile
- White, Brown, Black and Cream as standard
- Available in 18g (POA), 20g and 22g
- Medium security office / commercial / industrial applications
- Spans widths up to 7000 mm
- Can be powder coated any RAL / BS colour
- Will reverse coil if required (will increase coil size)
- Plastisol colours available
- Manual Spring & Lock – When there is no power available for electric operation or the shutter will not be opened very often. The solution is not available for shutters over 2.8 m tall.
- Max width up to 7000 mm
- Max height up to 5000 mm
- Max area up to 35 m²
- Wind class rating: Class 3 (when used on 65 mm+ guides)

Vision option available

- Delivers up to 25% vision (when back lit)
- Can be mixed with solid SeceuroShield 75 when only partial vision is required

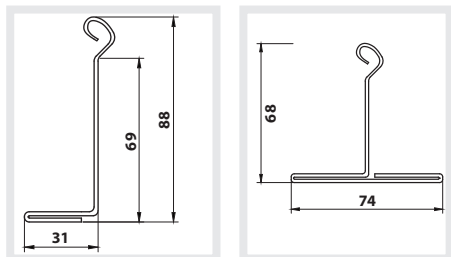
BOTTOM RAILS AND GUIDE OPTIONS

TRADITIONAL ONLY

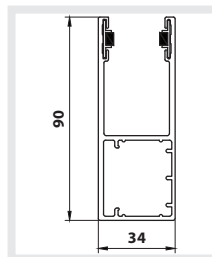


* Optional extra

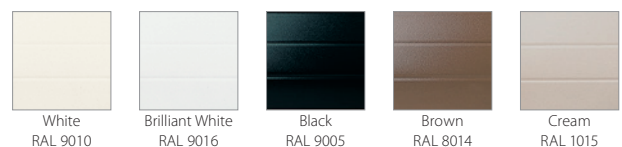
BOTH TRADITIONAL AND CONTINENTAL



CONTINENTAL ONLY



STOCK COLOURS FOR CURTAIN (SLATS), BOTTOM SLAT, BOX & GUIDES



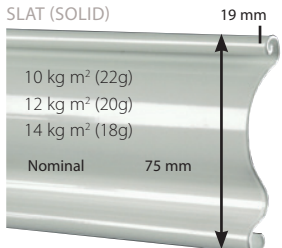
BOX & GUIDES

Boxes and guides are supplied in White, Brilliant White, Black, Brown, or Cream at no extra charge.

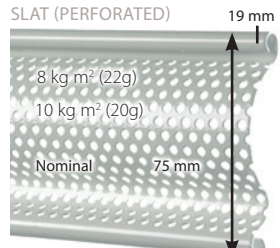
Please note:

Colour references on standard product are a guide only and will not match powder coated finish.

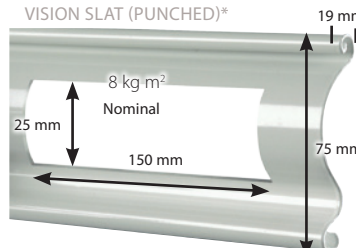
SLAT (SOLID)



SLAT (PERFORATED)



VISION SLAT (PUNCHED)*



Punched Curtain

150 mm x 25 mm regular punched hole with 50 mm space between. Available as brick bond or in line configuration. Provides 25% vision. Not available in a galvanised finish, must be powder coated. Price does not include powder coating. (Priced on clear opening sizes).

*Please note: Punched products must be powder coated



SeceuroShield | 7501

Tubular Motor Insurance Approved Security Shutters



Insurance approved security shutters tested to Loss Prevention Standard 1175 – 1 (LPS1175-1)

The rigorous LPS 1175 burglary resistance standard is operated by the Loss Prevention Certification Board (LPCB). LPCB are the UK's leading independent certification body and the LPS 1175 standard is recognised and endorsed by 16 organisations including the Association of British Insurers and the Association of Police Officers.

- Traditional and Continental design
- White, Brown, Black and Cream as standard
- Available as solid or perforated
- Strong single skin galvanised steel profile
- Medium security office / commercial / industrial applications
- Spans widths up to 6000 mm
- Can be powder coated any RAL / BS colour
- Flexibility to mix solid and perforated slats together when only partial vision is required
- Will reverse coil if required (will increase coil size)
- Available with either traditional or continental specifications
- Only available in 22g slat
- Wind class rating: Class 3 (when used on 65 mm+ guides)

Traditional Design

Traditional shutter construction employing steel channel and angle guides with electric or manual operation.

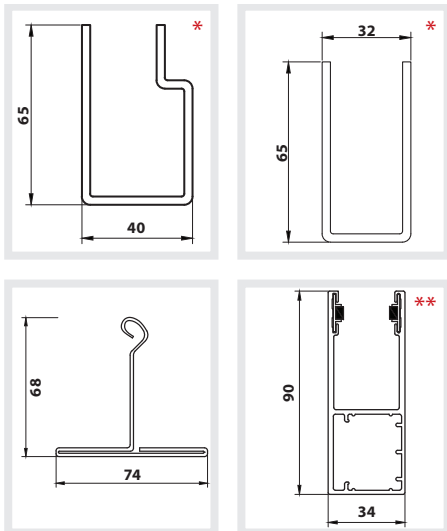
- Stronger construction, more suitable for larger sizes
- Endplate attached to angle therefore more suitable for shutters where the headplate requires additional support

Continental Design

A shutter with a neat continental style head box and aluminium guides for higher grade installations. The design facilitates easier installation than traditional shutters.

- Aluminium guide width 90 mm
- Neat design

BOTTOM RAILS AND GUIDE OPTIONS



* Traditional only ** Continental only

STOCK COLOURS FOR CURTAIN (SLATS), BOTTOM SLAT, BOX & GUIDES



BOX & GUIDES

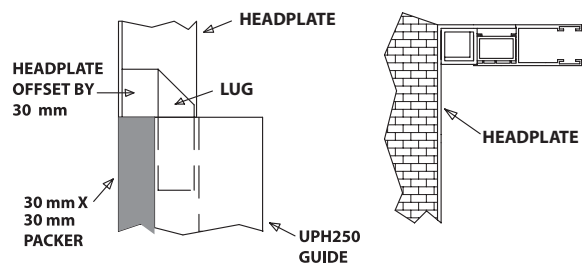
Boxes and guides are supplied in White, Brilliant White, Black, Brown, or Cream at no extra charge.

Please note:

Colour references on standard product are a guide only and will not match powder coated finish.

BOX EXTENSION

A box extension is required on built-on SeceuroShield 75 shutters when the curtain weight exceeds 172 kg on a 4" axle and 134 kg on a 5" axle. The projection is just 30 mm for face fixed shutters. If the shutter is reveal fixed the gap is made up using a 30 mm packer, as shown in the illustration. The overall width used when pricing and ordering shutters with box extensions is the overguide width (not including the box extension or 30 mm packer). If you are in any doubt please contact our technical team.



THIS PRODUCT CAN BE POWDER COATED

Please note: that this product will be powder coated after it has been assembled.

THIS PRODUCT CAN BE PLASTISOL COATED

Please note: this finish applies to the external face of the curtain slat only.



SeceuroDoor | 77t

Tubular Insulated Steel Security Shutter

Galvanised insulated commercial shutter

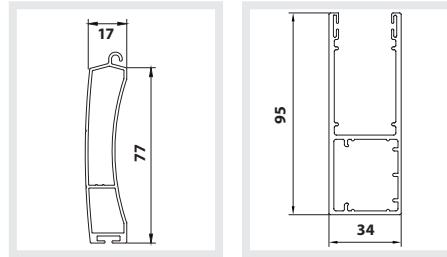
Our Insulated Commercial Shutter combines all the qualities of our robust SeceuroDoor 75 but with the added benefit of insulation.

Thermal and Acoustic Insulation

Minimal thermal bridges and the use of fine-pored PU rigid foam infill ensure good thermal insulation whilst curtain and sealing technology used around the entire shutter reduce noise from both inside and outside.

- Heat transmission performance for the 77 mm single slat profile 4.01 W/(m² K)
 - Max width 6000 mm
 - Max height 3400 mm
 - Max area 20 m²
 - Can be powder coated any colour, see [Page 25](#)
 - Standard guide angle is 75 mm x 50 mm
- Other sizes are available on request

SLAT, BOTTOM SLAT AND GUIDE



SLAT (INSULATED)



STANDARD CURTAIN & BOTTOM SLAT FINISH: GALVANISED



**THIS PRODUCT CAN BE
POWDER COATED**

Please note: that this product will be powder coated after it has been assembled.



Galvanised steel single skin industrial door

Steel roller shutter with scrolled slat profile. A popular choice for medium security retail and industrial applications.

- Strong single skin galvanised steel profile
- Can be powder coated any RAL / BS colour
- Your choice of motor, see **Page 12**
- Available with 18g (POA), 20g or 22g steel slat
- Choice of 4 guide arrangement options, see **Pages 14-19**
- Standard guide angle is 75 mm x 50 mm. Other sizes are available on request
- Maximum width 7000 mm
- Maximum height 7000 mm
- Maximum area 49 m²
- Wind class rating: Class 3 (when used on 65 mm+ guides)

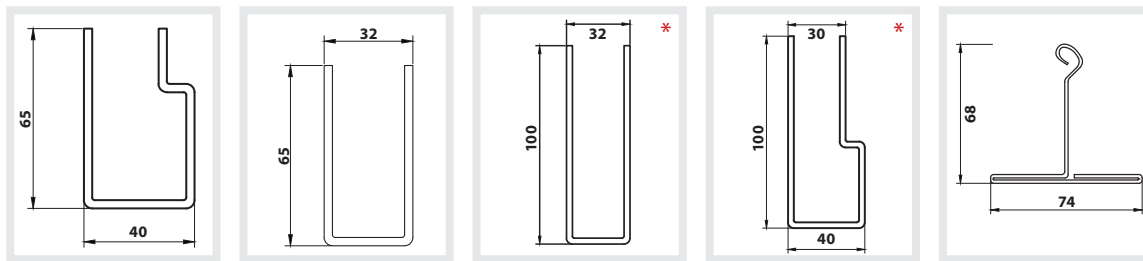
The entire SeceuroDoor range is available as either a direct drive, inboard, single phase or 3 phase.

Galvanised steel single skin industrial door with vision

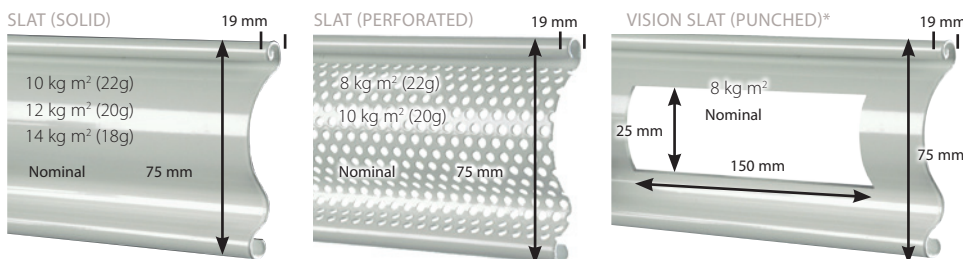
All the benefits of the SeceuroDoor 75 but with the addition of vision.

- Strong single skin galvanised steel profile
- Delivers up to 25% vision when back lit
- Suitable for commercial, industrial and retail applications
- Provides an attractive alternative to the traditional steel shutter
- Can be powder coated any RAL / BS Colour
- Your choice of motor, see **Page 12**
- Available with 18g (POA), 20g or 22g steel slat
- Choice of 4 guide arrangement options, see **Pages 14-19**
- Standard guide angle is 75 mm x 50 mm. Other sizes are available on request
- Can be used in conjunction with SeceuroDoor 75 to give partial vision
- Maximum width 7000 mm
- Maximum height 7000 mm
- Maximum area 49 m²
- Max area of vision 16 m²
- Wind class rating: Class 3 (when used on 65 mm+ guides)

BOTTOM RAILS AND GUIDE OPTIONS FOR BOTH PRODUCTS ABOVE



* Optional extra



Punched Curtain

150 mm x 25 mm regular punched hole with 50 mm space between. Available as brick bond or in line configuration. Provides 25% vision. Not available in a galvanised finish, must be powder coated. Price does not include powder coating. (Priced on clear opening sizes).

*Please note: Punched products must be powder coated



THIS PRODUCT CAN BE POWDER COATED

Please note: that this product will be powder coated after it has been assembled.



THIS PRODUCT CAN BE PLASTISOL COATED

Please note: this finish applies to the external face of the curtain slat only.

MOTOR OPTIONS

Comes with a GfA motor as standard. See **Page 12** for further options.



Insulated industrial door

Our Insulated Commercial Shutter combines all the qualities of our robust SeceuroDoor 75 but with the added benefit of insulation.

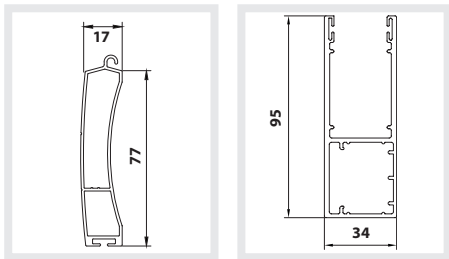
Thermal and Acoustic Insulation

Minimal thermal bridges and the use of fine-pored PU rigid foam infill ensure good thermal insulation whilst curtain and sealing technology used around the entire shutter reduce noise from both inside and outside.

- Heat transmission performance for the 77 mm single slat profile 4.01 W/(m² K)
- Max width 6000 mm
- Max area 20 m²
- Your choice of motor, see **Page 12**
- Can be powder coated any colour, see **Page 25**
- Choice of 4 guide arrangement options, see **Pages 14-19**
- Standard guide angle is 75 mm x 50 mm
Other sizes are available on request

The entire SeceuroDoor range is available as either a direct drive, inboard, single phase or 3 phase.

SLAT, BOTTOM SLAT AND GUIDE



SLAT (INSULATED)



STANDARD CURTAIN & BOTTOM SLAT FINISH: GALVANISED



THIS PRODUCT CAN BE POWDER COATED

Please note: that this product will be powder coated after it has been assembled.

MOTOR OPTIONS

Comes with a GfA motor as standard. See **Page 12** for further options.



Insulated industrial door

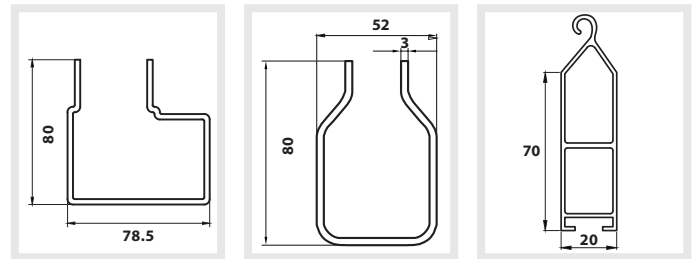
This insulated steel profile is especially resistant to damage and reduces deflection. With the option of interior and exterior identical colour coating our insulated shutter can easily be blended into the look of any building yet is also available with a galvanised finish.

Thermal and Acoustic Insulation

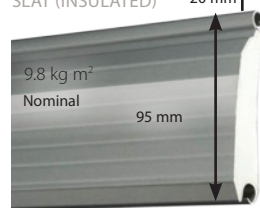
Minimal thermal bridges and the use of fine-pored PU rigid foam infill ensure good thermal insulation whilst curtain and sealing technology used around the entire shutter reduce noise from both inside and outside.

- Heat transmission performance for an operational door unit 3.9W/(m² K)
- Acoustic reduction rating of 27 dB
- Max width 7000 mm
- Max height 7000 mm
- Max area 49 m²
- Your choice of motor, see **Page 12**
- Choice of 4 guide arrangement options, see **Pages 14-19**
- Standard guide angle is 100 mm x 50 mm
- Vision option available: 100 mm x 55 mm Clear Perspex Vision Panel with a minimum of 200 mm space in between
- Wind class rating: Class 3

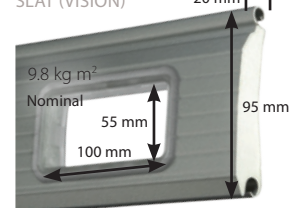
SLAT, BOTTOM SLAT AND GUIDES



SLAT (INSULATED)



SLAT (VISION)



OPTIONAL COLOURS FOR CURTAIN (SLATS), BOTTOM SLAT, BOX & GUIDES



Coloured slats may be subject to longer lead times, please get in touch for more info.

STANDARD CURTAIN & BOTTOM SLAT FINISH: GALVANISED

Bottom slat, box & guides available in a powder coat finish also. Charges apply, see **Page 25**

Please note:

Colour references on standard product are a guide only and will not match powder coated finish.

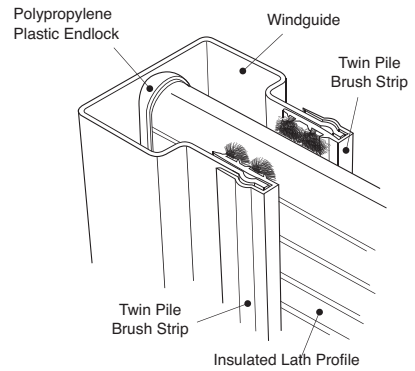
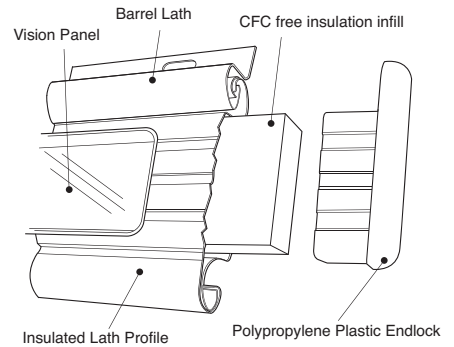
Hardened steel insulated door

The twinwall steel makes this profile especially resistant to damage and reduces deflection.

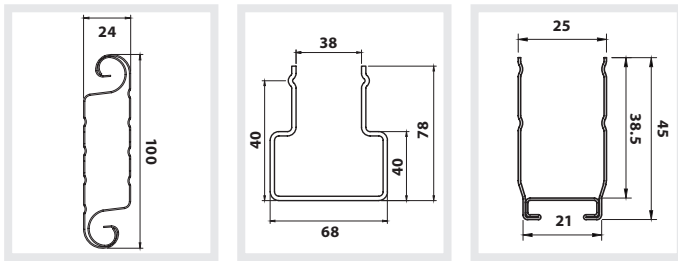
Thermal and Acoustic Insulation

Minimal thermal bridges and the use of CFC free insulation infill ensure good thermal insulation whilst curtain and sealing technology used around the entire shutter reduce noise from both inside and outside.

- Heat transmission performance for the 100 mm twinwall lath profile is TBC
- Max width 7000 mm
- Max height 7000 mm
- Max area 49 m²
- Your choice of motor, see [Page 12](#)
- Can be powder coated any colour, see [Page 25](#)
- Choice of 4 guide arrangement options, see [Pages 14-19](#)
- Standard guide angle is 100 mm x 50 mm
- Vision option available – 200 mm x 55 mm Clear Perspex Vision Panel with a minimum of 200 mm space in between
- Wind class rating: Class 5



GUIDE, SLAT AND BOTTOM SLAT



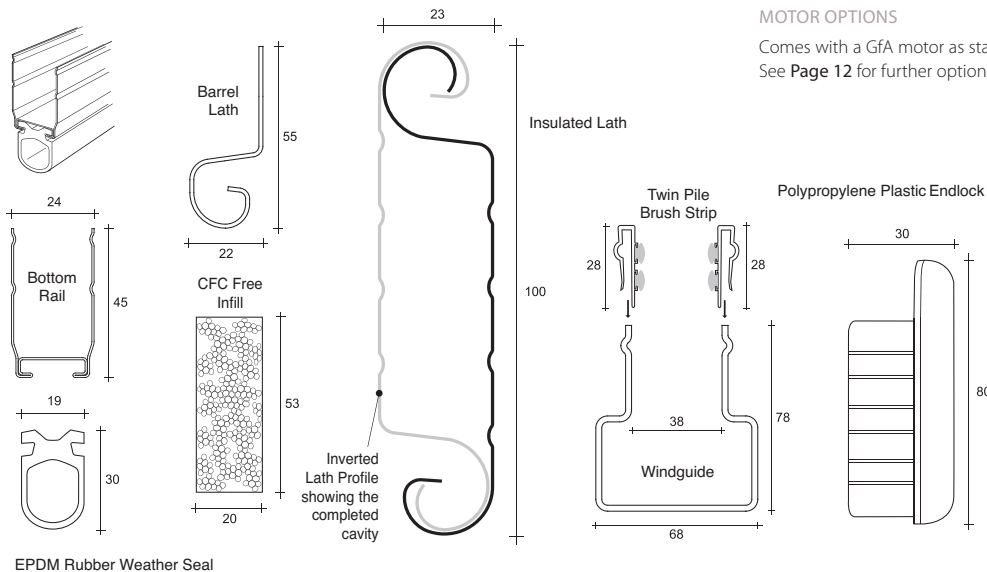
THIS PRODUCT CAN BE POWDER COATED

Please note: that this product will be powder coated after it has been assembled.
Please note: this finish applies to the external face of the curtain slat only.



THIS PRODUCT CAN BE PLASTISOL COATED

Please note: this finish applies to the external face of the curtain slat only.



EPDM Rubber Weather Seal

MOTOR OPTIONS

Comes with a GfA motor as standard. See [Page 12](#) for further options.



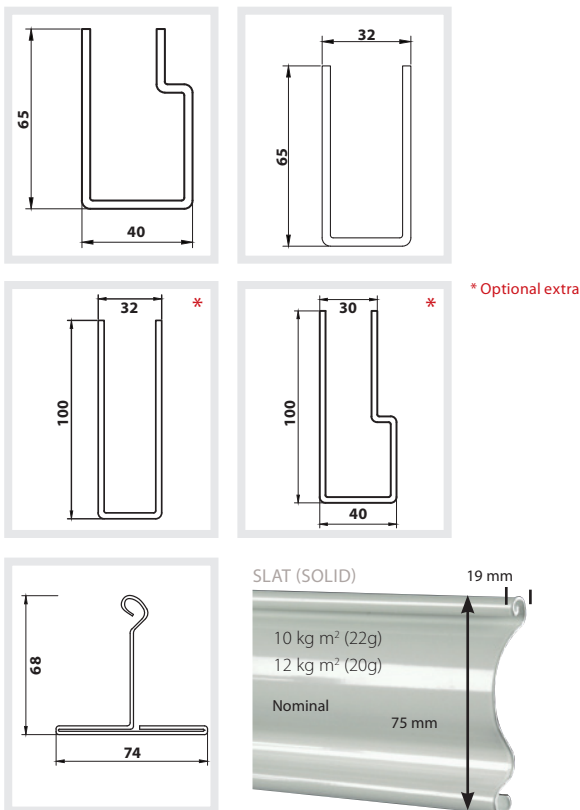


Industrial door

Our manual chain operated shutter combines all the qualities of our robust SeceuroDoor 75 but with the added benefit of manual operation.

- Max width 5000 mm
- Max height 5000 mm
- Max area 25 m²
- Can be powder coated any colour, see **Page 25**
- Choice of 4 guide arrangement options, see **Pages 14-19**
- Standard guide angle is 75 mm x 50 mm
Other sizes are available on request
- Vision option available, see **Page 8**
- Wind class rating: Class 3 (when used on 65 mm+ guides)

SLAT, BOTTOM RAIL AND GUIDE OPTIONS



Insulated industrial door

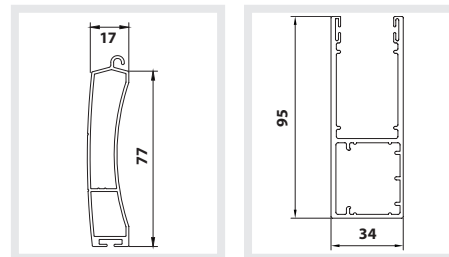
Our Insulated Commercial Shutter combines all the qualities of our robust SeceuroDoor 75 but with the added benefit of insulation.

Thermal and Acoustic Insulation

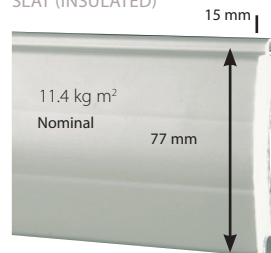
Minimal thermal bridges and the use of fine-pored PU rigid foam infill ensure good thermal insulation whilst curtain and sealing technology used around the entire shutter reduce noise from both inside and outside.

- Heat transmission performance for an operational door unit 4.01 W/(m² K)
- Max width 5000 mm
- Max height 4000 mm
- Max area 20 m²
- Can be powder coated any colour, see **Page 25**
- Choice of 4 guide arrangement options, see **Pages 14-19**
- Standard guide angle is 75 mm x 50 mm
Other sizes are available on request

SLAT, BOTTOM SLAT AND GUIDE



SLAT (INSULATED)



STANDARD CURTAIN & BOTTOM SLAT FINISH: GALVANISED



THIS PRODUCT CAN BE POWDER COATED

Please note: that this product will be powder coated after it has been assembled.



THIS PRODUCT CAN BE PLASTISOL COATED

Please note: this finish applies to the external face of the curtain slat only.



THIS PRODUCT CAN BE POWDER COATED

Please note: that this product will be powder coated after it has been assembled.

STOCK COLOURS FOR CURTAIN (SLATS), BOTTOM SLAT, BOX & GUIDES



BOX & GUIDES

Boxes and guides are supplied in White, Brilliant White, Black, Brown, or Cream at no extra charge.

Please note:

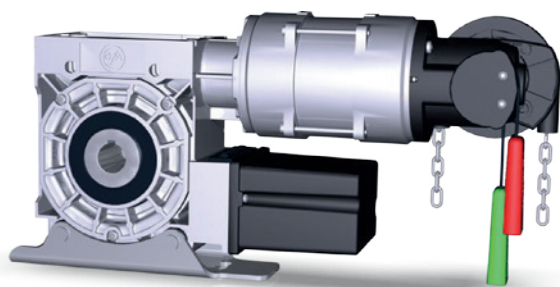
Colour references on standard product are a guide only and will not match powder coated finish.

SeceuroDoor Motor Options

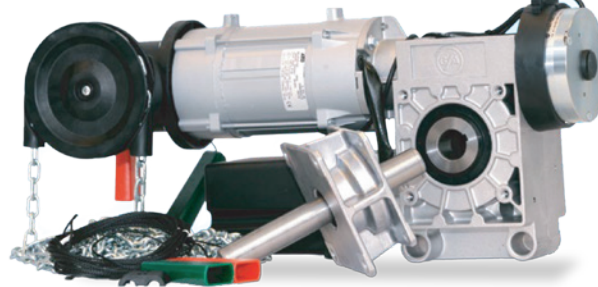


Motor Spec			Motor Types		Power Supply		Usage
Motor	Torque (Nm)	RPM	Outboard (Direct Drive)	Inboard (Chain Drive)	Single Phase	Three Phase	Max Cycles per Hour
17/15	170	15	●			●	20
25/15	250	15	●			●	20
35/15	350	15	●			●	16
45/15	450	15	●			●	12
55/15	550	15	●			●	16
65/10	650	10	●			●	10
85/10	850	10	●			●	14
25/10W – Mini	250	10	●		●		8
45/07W	450	7	●		●		8
Ranger 90	90	32		●		●	16
Ranger 90W	70	32		●	●		12
Ranger 150	150	48		●		●	12

Safedrive® 35/15 to 65/10



Ranger 150



Safedrive®

Drive Systems for non counter-balanced Industrial Doors

- Models from 170 Nm to 1800 Nm
- High precision worm drive gearbox
- Range of output speeds and torques
- Horizontal or vertical mounting
- Safety brake incorporated
- Low level hand chain operation as standard
- Plug-connected control equipment
- Certified to BS EN 12453

Ranger 90 & 150

Drive Systems for Industrial Rolling Shutters

- Range of output speeds and torques
- Available with either digital or mechanical limits
- Horizontal or vertical mounting
- Low level hand chain operation as standard
- Plug-connected control equipment
- Certified to BS EN 12453:2001-02



Link Controls

Ellard and Link motors are also available, price on application.

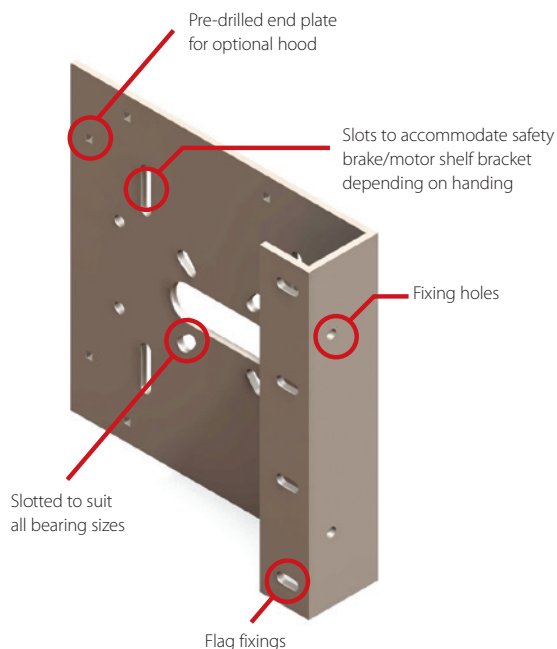
Installation Options for SeceuroDoor Industrial Door

We are able to offer four standard variations of guide angle arrangement. The appropriate solution will depend on the structure the product is being fitted to and the application.

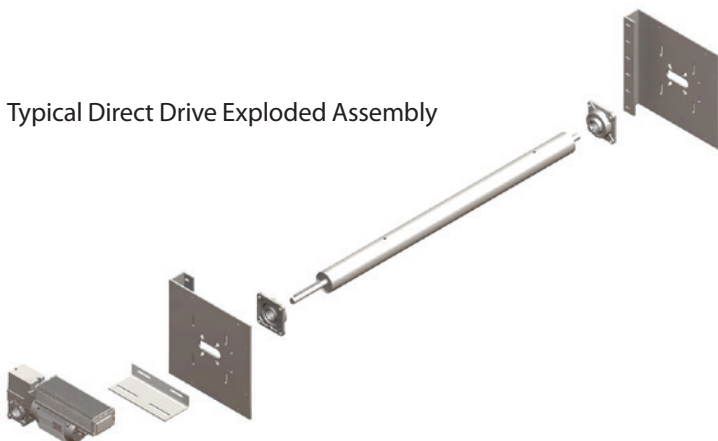
Drawings are available for each arrangement type, see pages 14-19.

	Arrangement	Guide angle inset or outset	Drawing reference	Page number
Motor	Face Fix	Inset/Outset	INDUS 001	14
	Reveal	Outset	INDUS 002	15
	Mixed	Inset/Outset	INDUS 003 & INDUS 004	16 & 17
Chain	Face	Inset/Outset	INDUS 005	18
	Reveal	Outset	INDUS 006	19

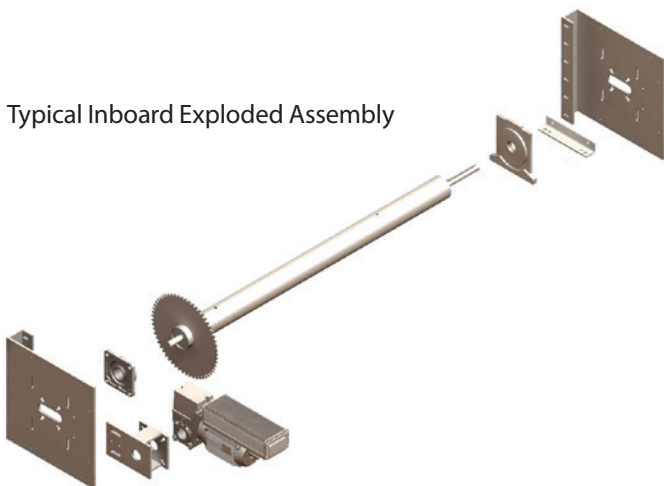
Universal, Laser-cut, Folded End Plate (Motorised shown)



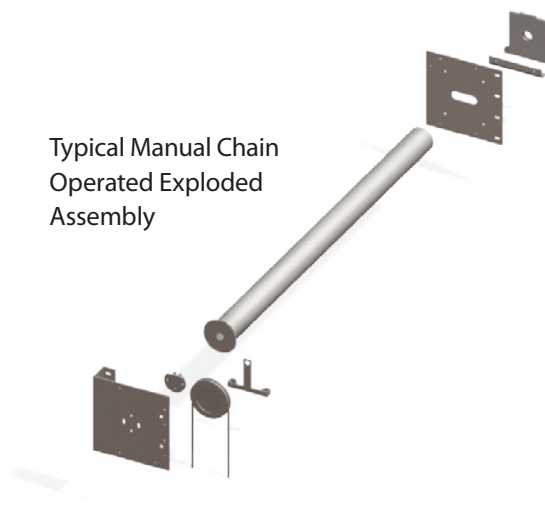
Typical Direct Drive Exploded Assembly



Typical Inboard Exploded Assembly



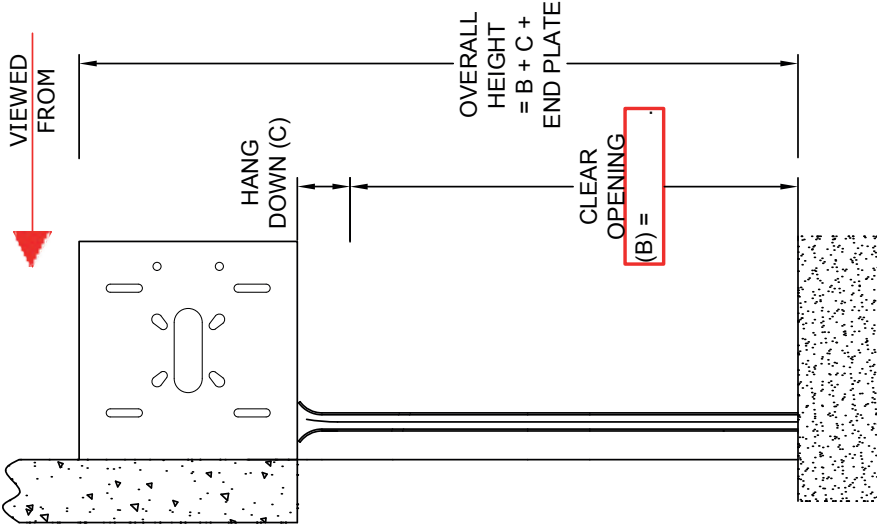
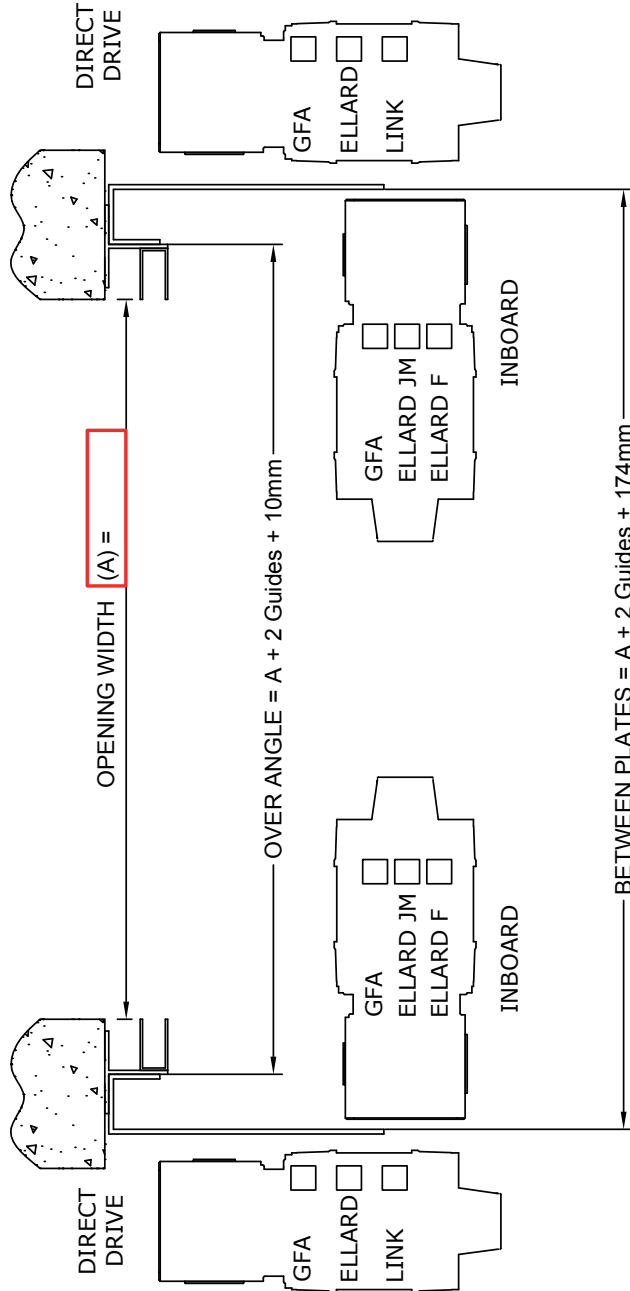
Typical Manual Chain Operated Exploded Assembly



THIS DRAWING MUST BE RETURNED WITH AN ORDER FORM

SECEURODOOR INDUSTRIAL DOOR - FACE FIX - 75 77 95 100

SINGLE PHASE POWER:					3 PHASE POWER:				
INSET ANGLE	E		OUTSET ANGLE		E				
END PLATE:	350	400	450	500	550	GUIDE SIZE - 20g/22g (75x50 Guide Angle) (Straight) = G	65	100	
						GUIDE SIZE - 20g/22g (75x50 Guide Angle) (Wind) = G	65	100	
						GUIDE SIZE - 77mm Insulated Slat (75x50 Guide Angle) = G		95	
						GUIDE SIZE - 95mm / 100mm Insulated Slat (100x50 Guide Angle) (Straight) = G		80	
						GUIDE SIZE - 95mm Insulated Slat (100x50 Guide Angle) (Wind) = G		80	



STRUCTURE MUST BE CAPABLE OF CARRYING SHUTTER WEIGHT APPROX 25Kg / Sqm

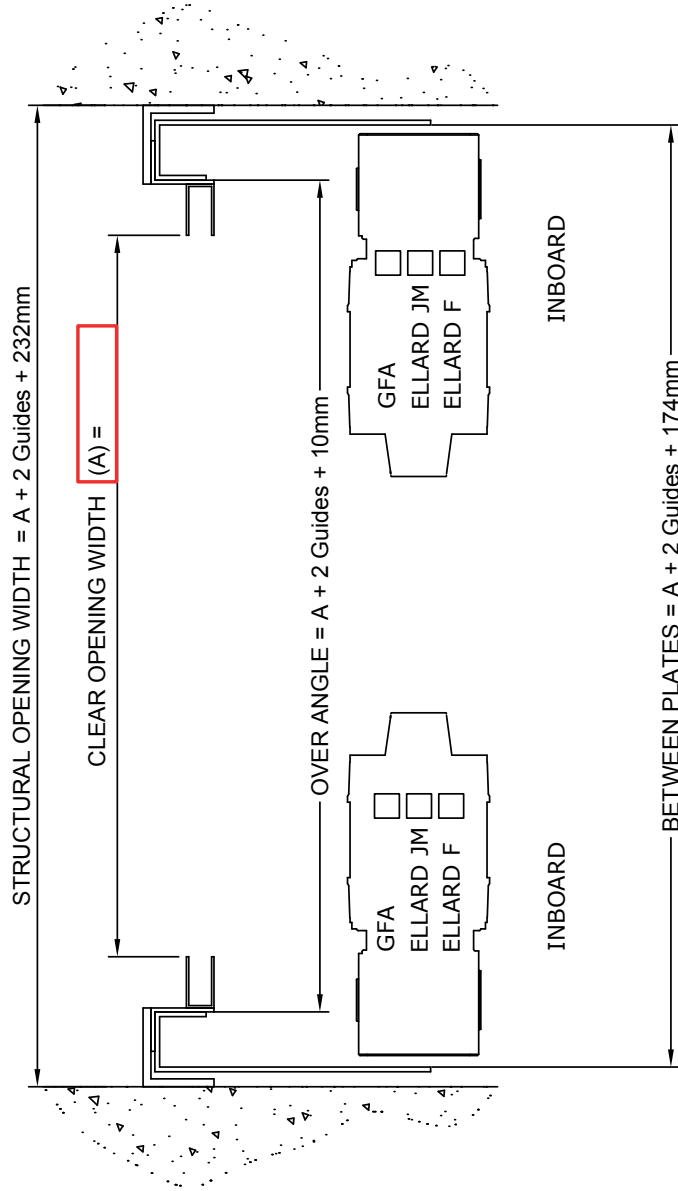
END PLATE SELECTION BY OPENING HEIGHT		350	400	450	500	550
Hang Down		50mm	50mm	80mm	100mm	100mm
20G		2-3.8m	3.8-5m	5-6m	6-7m	
22G		2-3.8m	3.8-5m	4-5m		
77		2-3m	3-4m	4-5m	5-6m	6-7m
95		2-3m	3-4m	4-5m	5-6m	6-7m
100			2-3.5m	3.5-4.5m	4.5-5.8m	5.8-7m

	NOT TO SCALE	QUANTITY:	COMPANY:
	DRAWN BY: PPC		JOB REF:
	DATE: 09/10/15		SIGNATURE:
	REV: 4	<p style="color: red; font-weight: bold; font-size: 24px;">INDUS001</p>	DATE:
DWG No.:			
		<p style="font-size: 8px;">THIS DRAWING IS THE PROPERTY OF SWS</p>	

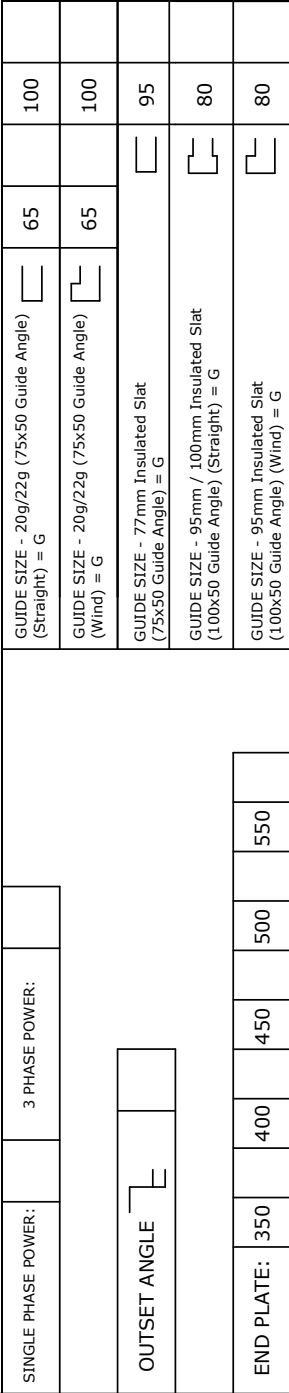
THIS DRAWING MUST BE RETURNED WITH AN ORDER FORM

SECEURODOOR INDUSTRIAL DOOR - REVEAL FIX - 75 77 95 100

SINGLE PHASE POWER:									
3 PHASE POWER:									
OUTSET ANGLE									
END PLATE:	350	400	450	500	550				



GUIDE SIZE - 20g/22g (75x50 Guide Angle) (Straight) = G		65	100
GUIDE SIZE - 20g/22g (75x50 Guide Angle) (Wind) = G		65	100
GUIDE SIZE - 77mm Insulated Slat (75x50 Guide Angle) = G			95
GUIDE SIZE - 95mm / 100mm Insulated Slat (100x50 Guide Angle) (Straight) = G			80
GUIDE SIZE - 95mm Insulated Slat (100x50 Guide Angle) (Wind) = G			80

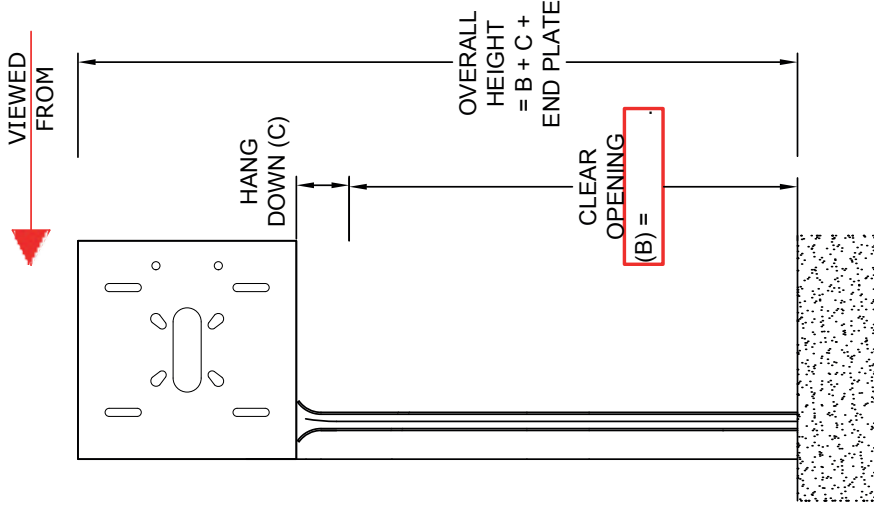
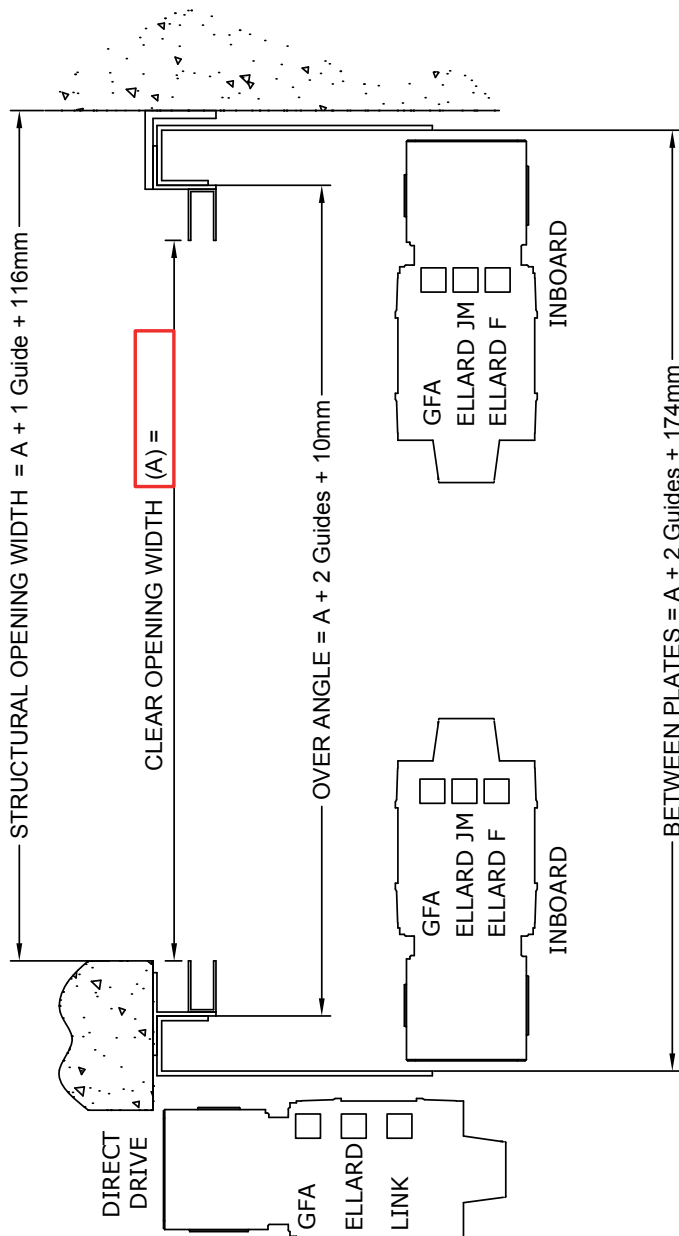


STRUCTURE MUST BE CAPABLE OF CARRYING SHUTTER WEIGHT APPROX 25Kg / Sqm

NOT TO SCALE		COMPANY:	END PLATE SELECTION BY OPENING HEIGHT	
DRAWN BY: PPC	QUANTITY:	JOB REF:	Hang Down	500
DATE: 09/10/15	REV: 4		20G	550
DWG NO.: INDUS002	SIGNATURE:	22G	450	500
	DATE:	77	400	500
		95	350	500
		100	300	500
			250	500
			200	500
			150	500
			100	500

SECEURODOOR INDUSTRIAL DOOR - LH FACE FIX / RH REVEAL FIX - 75 77 95 100 THIS DRAWING MUST BE RETURNED WITH AN ORDER FORM

SINGLE PHASE POWER:				
3 PHASE POWER:				
INSET ANGLE (Left Only)	E	OUTSET ANGLE (Left or Right)		
END PLATE:	350	400	450	500
	550			
	GUIDE SIZE - 20g/22g (75x50 Guide Angle) (Straight) = G			
	GUIDE SIZE - 20g/22g (75x50 Guide Angle) (Wind) = G			
	GUIDE SIZE - 77mm Insulated Slat (75x50 Guide Angle) = G			
	GUIDE SIZE - 95mm / 100mm Insulated Slat (100x50 Guide Angle) (Straight) = G			
	GUIDE SIZE - 95mm Insulated Slat (100x50 Guide Angle) (Wind) = G			



STRUCTURE MUST BE CAPABLE OF CARRYING SHUTTER WEIGHT APPROX 25Kg / Sqm

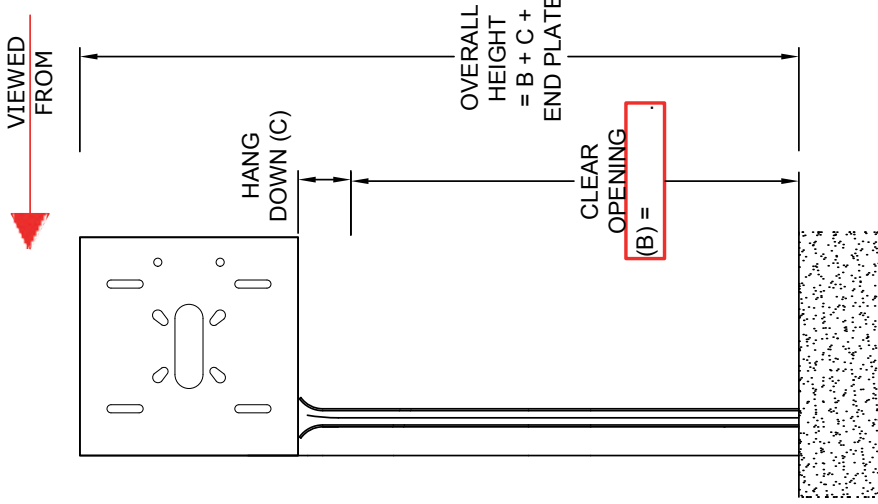
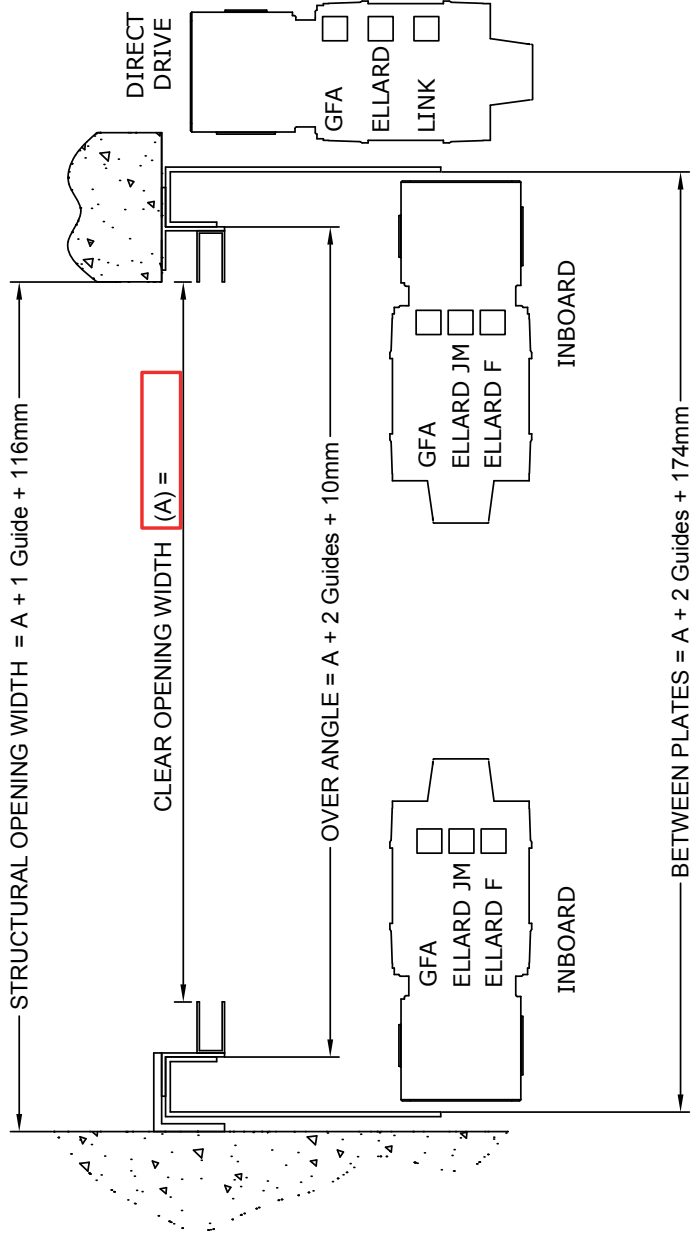
NOT TO SCALE	DRAWN BY:	PPC	COMPANY:	QUANTITY:	HANG DOWN	350	400	450	500	550
	DATE:	09/10/15				50mm	2-3.8m	3.8-5m	5-6m	6-7m
	REV:	4	JOB REF:		22G	2-3.8m	3.8-5m			
	DWG NO.:	INDUS003	SIGNATURE:		77	2-3m	3-4m	4-5m	5-6m	6-7m
			DATE:		95	2-3m	3-4m	4-5m	5-6m	6-7m
					100	100mm	2-3.5m	3.5-4.5m	4.5-5.8m	5.8-7m



THIS DRAWING IS THE PROPERTY OF SWS

SECEURODOOR INDUSTRIAL DOOR - LH REVEAL FIX / RH FACE FIX - 75 77 95 100 THIS DRAWING MUST BE RETURNED WITH AN ORDER FORM

SINGLE PHASE POWER:					3 PHASE POWER:					
INSET ANGLE (Right Only)	E	OUTSET ANGLE (Left or Right)		E						
END PLATE:	350	400	450	500	550					
GUIDE SIZE - 20g/22g (75x50 Guide Angle) (Straight) = G						<input type="checkbox"/>	65	<input type="checkbox"/>	100	<input type="checkbox"/>
GUIDE SIZE - 20g/22g (75x50 Guide Angle) (Wind) = G						<input type="checkbox"/>	65	<input type="checkbox"/>	100	<input type="checkbox"/>
GUIDE SIZE - 77mm Insulated Slat (75x50 Guide Angle) = G						<input type="checkbox"/>		<input type="checkbox"/>	95	<input type="checkbox"/>
GUIDE SIZE - 95mm / 100mm Insulated Slat (100x50 Guide Angle) (Straight) = G						<input type="checkbox"/>		<input type="checkbox"/>	80	<input type="checkbox"/>
GUIDE SIZE - 95mm Insulated Slat (100x50 Guide Angle) (Wind) = G						<input type="checkbox"/>		<input type="checkbox"/>	80	<input type="checkbox"/>



STRUCTURE MUST BE CAPABLE OF CARRYING SHUTTER WEIGHT APPROX 25Kg / Sqm

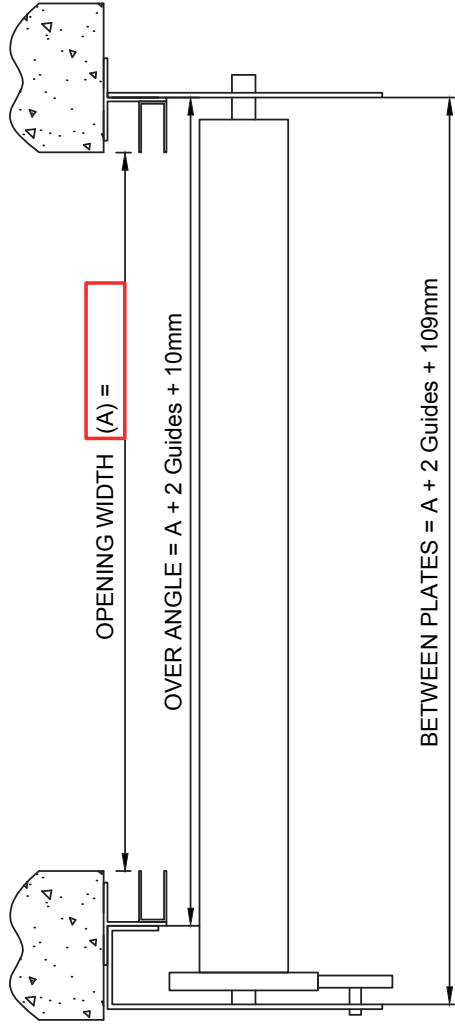
END PLATE SELECTION BY OPENING HEIGHT		350	400	450	500	550
Hang Down						
20G	50mm	2-3.8m	3.8-5m	5-6m	6-7m	
22G	50mm	2-3.8m	3.8-5m			
77	80mm	2-3m	3-4m	4-5m		
95	100mm	2-3m	3-4m	4-5m	5-6m	6-7m
100	100mm		2-3.5m	3.5-4.5m	4.5-5.8m	5.8-7m

	NOT TO SCALE	QUANTITY:	COMPANY:
	DRAWN BY: PPC		JOB REF:
	DATE: 09/10/15		SIGNATURE:
	REV: 4	<p style="color: red; font-weight: bold; font-size: 24px;">INDUS004</p>	DATE:
DWG NO.:			
		<p style="font-size: 8px;">THIS DRAWING IS THE PROPERTY OF SWS</p>	

SECEURODOOR INDUSTRIAL DOOR CHAIN OPERATED MANUAL - FACE FIX - 75 77 THIS DRAWING MUST BE RETURNED WITH AN ORDER FORM

INSET ANGLE	<input type="checkbox"/> E	OUTSET ANGLE	<input type="checkbox"/> F	GUIDE SIZE - 20g/22g (75x50 Guide Angle) (Straight) = G	<input type="checkbox"/> 65	100
HANDING:	LH	RH		GUIDE SIZE - 20g/22g (75x50 Guide Angle) (Wind) = G	<input type="checkbox"/> 65	100
				GUIDE SIZE - 77mm Insulated Slat (75x50 Guide Angle) = G	<input type="checkbox"/>	95

END PLATE: 400



LEFT HAND OPERATION SHOWN

STRUCTURE MUST BE CAPABLE OF CARRYING SHUTTER WEIGHT APPROX 25Kg / Sqm

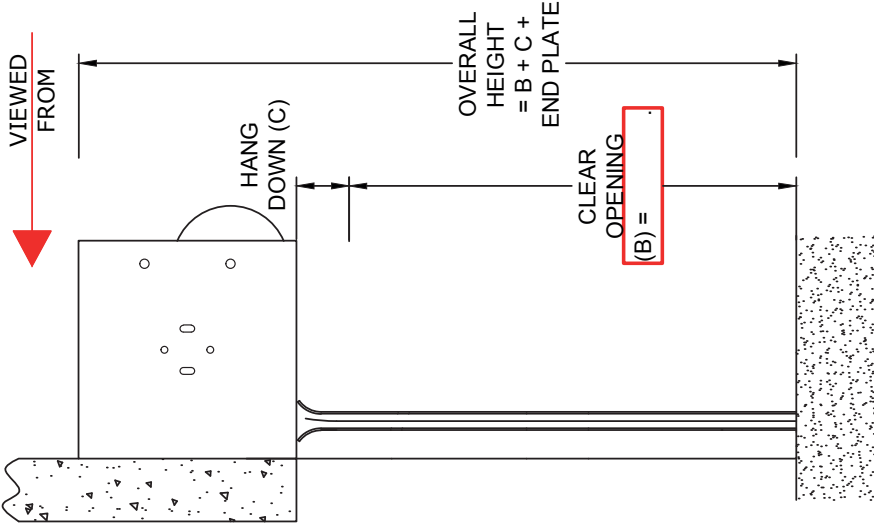
SWS UK
SecuroDoor Industrial Doors
 THIS DRAWING IS THE PROPERTY OF SWS

NOT TO SCALE
 DRAWN BY: PBS
 DATE: 27/1/16
 REV: 2

DWG NO.: **INDUS005**

COMPANY:
 JOB REF:
 SIGNATURE:
 DATE:

20G	Hang Down 50mm	400
22G	50mm	2-5m
77	80mm	2-5m
		2-4m

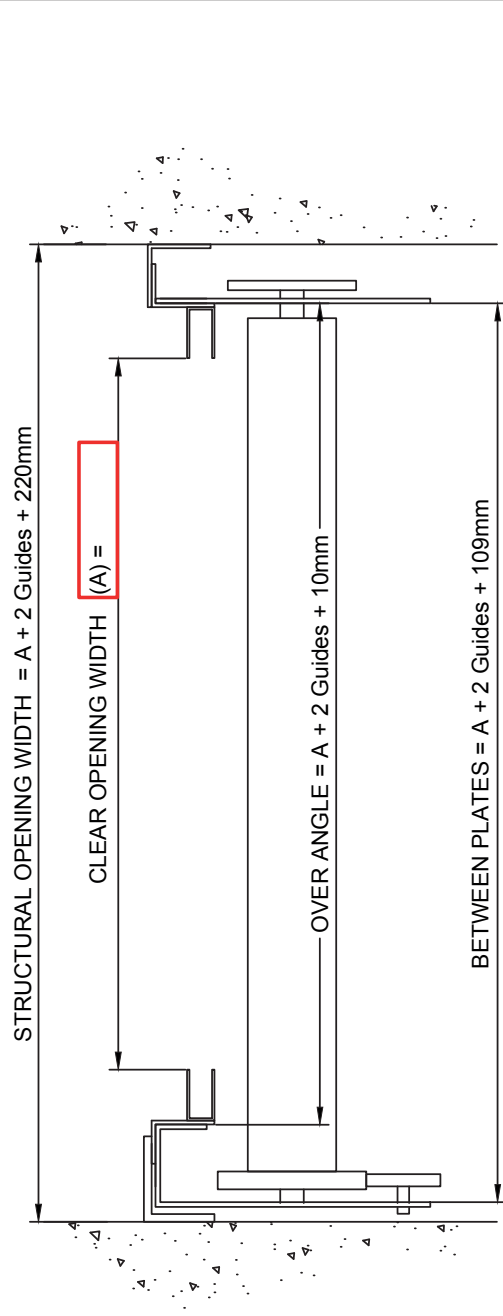


SECEURODOOR INDUSTRIAL DOOR CHAIN OPERATED MANUAL - REVEAL FIX - 75 77 THIS DRAWING MUST BE RETURNED WITH AN ORDER FORM

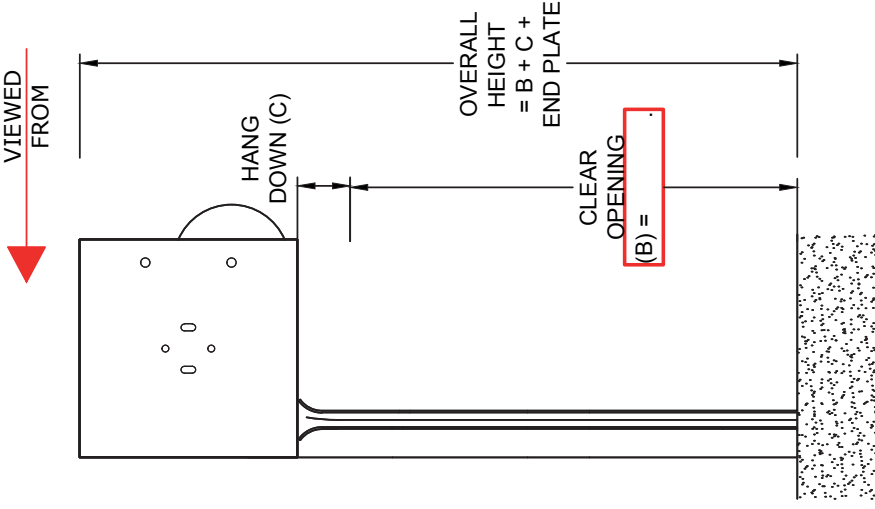
OUTSET ANGLE		<input type="checkbox"/>	65	<input type="checkbox"/>	100
HANDING:	LH	<input type="checkbox"/>	65	<input type="checkbox"/>	100
	RH	<input type="checkbox"/>		<input type="checkbox"/>	95
END PLATE:	400	<input checked="" type="checkbox"/>			

GUIDE SIZE - 20g/22g (75x50 Guide Angle) (Straight) = G	<input type="checkbox"/>	65	<input type="checkbox"/>	100
GUIDE SIZE - 20g/22g (75x50 Guide Angle) (Wind) = G	<input type="checkbox"/>	65	<input type="checkbox"/>	100
GUIDE SIZE - 77mm Insulated Slat (75x50 Guide Angle) = G	<input type="checkbox"/>		<input type="checkbox"/>	95

END PLATE:	400	<input checked="" type="checkbox"/>
------------	-----	-------------------------------------



LEFT HAND OPERATION SHOWN



STRUCTURE MUST BE CAPABLE OF CARRYING SHUTTER WEIGHT APPROX 25Kg / Sqm

 THIS DRAWING IS THE PROPERTY OF SWS	NOT TO SCALE	COMPANY:	DRAWN BY: PPC DATE: 28/01/16 REV: 3	QUANTITY: JOB REF: SIGNATURE: DATE:	Hang Down	400
	DWG NO.: INDUS006					20G
					22G	50mm
					77	80mm
						2-4m

ORDER FORM Fax: (01524) 772411
Tel: (01524) 772400
London Tel: (020) 8540 1717
Email: orders@swsuk.co.uk

Industrial Door Order Form



Customer Ref No:

Customer:

Contact Name:

Contact Number:

Purchase Order No:

Order Date:

Normal delivery run: w/c DD MM Specific delivery date – POA DD MM YY

Palletised – POA Collection from Cloughton Collection from London

Delivery to your premises Delivery to site

Site Delivery Address:

Site Contact:

Contact Number:

CUSTOMER MUST ENSURE A SUITABLE METHOD OF UNLOADING UPON DELIVERY.
2 MAN OFFLOAD AVAILABLE AT A SURCHARGE.

Quote Reference Drawing No. Office Use

Quantity Door Ref Dimension A Clear Opening Width

Dimension B Clear Opening Height

Curtain Profile (*Galv and solid as standard*)

75 single skin – 22g 77 Insulated 100 Insulated

75 single skin – 20g 95 Insulated

Internal External

<p>Motor Hand</p> <p><input type="checkbox"/> Left <input type="checkbox"/> Right <input type="checkbox"/> 3 Phase <input type="checkbox"/> Single Phase</p> <p>(viewed from under coil)</p> <p>Power Supply</p>	<p>Guide Options</p> <p>Straight Channel <input type="checkbox"/> 65 mm <input type="checkbox"/> 100 mm</p> <p>Wind Channel <input type="checkbox"/> 65 mm <input type="checkbox"/> 100 mm</p> <p><input type="checkbox"/> 75 single skin <input type="checkbox"/> 95 mm <input type="checkbox"/> 80 mm</p> <p><input type="checkbox"/> 77 Insulated <input type="checkbox"/> 95 mm <input type="checkbox"/> 80 mm</p> <p><input type="checkbox"/> 95 insulated <input type="checkbox"/> 80 mm</p> <p><input type="checkbox"/> 100 insulated <input type="checkbox"/> 80 mm</p>	<p>Endplate Size</p> <p><input type="checkbox"/> 350 <input type="checkbox"/> 400 <input type="checkbox"/> 450 <input type="checkbox"/> 500 <input type="checkbox"/> 550</p> <p>(Refer to pricelist or drawing)</p> <p>Box Covers</p> <p><input type="checkbox"/> Fascia <input type="checkbox"/> Canopies/Hood</p> <p><input type="checkbox"/> Motor Box Cover <input type="checkbox"/> Endplate Sleeve</p> <p><input type="checkbox"/> No Hoods</p>	<p>Accessories/Special Requirements</p> <p><input type="text"/></p>
<p>Motor/Drive End Fitment</p> <p>Face Fit</p> <p><input type="checkbox"/> Inset Angle <input type="checkbox"/> Inset Angle <input type="checkbox"/> Reveal Fit</p> <p><input type="checkbox"/> Outset Angle <input type="checkbox"/> Outset Angle</p>	<p>Curtain & Colour Options</p> <p><input type="checkbox"/> 75 single skin <input type="checkbox"/> Punched <input type="checkbox"/> Perforated</p> <p><input type="checkbox"/> 95 insulated <input type="checkbox"/> Punched & Glazed</p> <p><input type="checkbox"/> 100 insulated <input type="checkbox"/> Punched & Glazed</p> <p>Curtain Colour (RAL, BS or Plastisol) <input type="text"/></p> <p>Guides & Box Colour (RAL or BS) <input type="text"/></p>	<p>Other Options</p> <p><input type="checkbox"/> Keyswitch</p> <p><input type="checkbox"/> Interlocked Bullet Locks (Non-windlocked curtains only) <input type="text"/></p> <p>Height from floor <input type="text"/></p> <p><input type="checkbox"/> Bottom rail rubber D strip</p> <p><input type="checkbox"/> GFA only Wired Safety Edge with TS970 Controller</p> <p><input type="checkbox"/> GFA only Wireless Safety Edge with TS971 Controller</p>	<p>Signature.....</p> <p>Print Name.....</p> <p>Date.....</p>
<p>Non-Drive End Fitment</p> <p>Face Fit</p> <p><input type="checkbox"/> Inset Angle <input type="checkbox"/> Reveal Fit</p> <p><input type="checkbox"/> Outset Angle <input type="checkbox"/> Reveal Fit</p>	<p>Motor Options</p> <p>Face Fit <input type="checkbox"/> Inboard/Reveal <input type="checkbox"/></p> <p>GFA <input type="checkbox"/></p> <p>Link <input type="checkbox"/></p> <p>Ellard <input type="checkbox"/></p> <p>Ellard JM <input type="checkbox"/></p>		

ORDER FORM Fax: (01524) 772411
 Tel: (01524) 772400
 London Tel: (020) 8540 1717
 Email: orders@swsuk.co.uk

SeceuroDoor UK Manual Chain Operated Industrial Door Order Form



Customer Ref No:
 Customer:
 Contact Name:
 Contact Number:
 Purchase Order No:
 Order Date:

Normal delivery run: w/c DD MM Specific delivery date – POA DD MM YY
 Palletised – POA Collection from Claughton Collection from London
 Delivery to your premises Delivery to site

Site Delivery Address:
 Site Contact:
 Contact Number:

CUSTOMER MUST ENSURE A SUITABLE METHOD OF UNLOADING UPON DELIVERY.
 2 MAN OFFLOAD AVAILABLE AT A SURCHARGE.

Quote Reference Drawing No. Office Use

Quantity Door Ref Dimension A Clear Opening Width
 75 single skin – 22g 77 Insulated
 75 single skin – 20g Internal External

Use separate order form unless doors are identical

<p>Hand of Operation <input type="checkbox"/> Left <input type="checkbox"/> Right (viewed from under coil) </p> <p>Drive End Fitment Face Fit <input type="checkbox"/> Inset Angle <input type="checkbox"/> Reveal Fit <input type="checkbox"/> Outset Angle</p> <p>Non-Drive End Fitment Face Fit <input type="checkbox"/> Inset Angle <input type="checkbox"/> Reveal Fit <input type="checkbox"/> Outset Angle</p>	<p>Guide Options 75 single skin <input type="checkbox"/> 65 mm <input type="checkbox"/> 100 mm 77 Insulated <input type="checkbox"/> 95 mm Straight Channel <input type="checkbox"/> 100 mm Wind Channel <input type="checkbox"/> 65 mm <input type="checkbox"/> 100 mm Curtain & Colour Options 75 single skin <input type="checkbox"/> Punched <input type="checkbox"/> Perforated</p> <p>Curtain Colour (RAL, BS or Plastisol) <input type="text"/></p> <p>Guides & Box Colour (RAL or BS) <input type="text"/></p>	<p>Endplate Size <input type="checkbox"/> 400 (Refer to price list or drawing)</p> <p>Box Covers <input type="checkbox"/> Fascia <input type="checkbox"/> Canopies/Hood <input type="checkbox"/> No Hoods <input type="checkbox"/> Endplate Sleeve</p> <p>Other Options <input type="checkbox"/> Bullet Locks (Non-windlocked curtains only) Height from floor <input type="text"/> <input type="checkbox"/> Bottom rail rubber D strip</p>
--	--	---

Signature:
 Print Name:
 Date:

Customer	Order date	Purchase order no.	Customer/job ref.
----------	------------	--------------------	-------------------

THIS ORDER FORM MUST BE RETURNED WITH A SECEURODOOR OR A SECEUROSHIELD ORDER FORM WHEN A SLOPING BOTTOM SLAT IS REQUIRED.

Please ensure that you answer all the questions on the form to prevent your order from being delayed. **Please note:** This order form is accompanied by information in the right hand column detailing important surveying and ordering advice. Please tick this box to confirm that you have read this information.

1. ITEM REFERENCE:	
Overall door width (mm) [max. 5000 mm wide]:	
2. BOTTOM SLAT TYPE:	
L <input type="checkbox"/> T <input type="checkbox"/>	
3. DOOR TYPE:	
SeceuroShield 75 <input type="checkbox"/> SeceuroDoor 77t <input type="checkbox"/> SeceuroDoor 75 <input type="checkbox"/> SeceuroDoor 75c <input type="checkbox"/> SeceuroDoor 77c N/A <input type="checkbox"/>	
SeceuroDoor 77 <input type="checkbox"/> SeceuroDoor 95 N/A <input type="checkbox"/> SeceuroDoor 100 N/A <input type="checkbox"/>	
4. BOTTOM SLAT COLOUR:	
Height difference (h) see diagrams below. (mm):	

5. PLEASE SELECT THE PICTURE BELOW THAT SHOWS THE CORRECT SLOPE, ALWAYS VIEWED FACING THE COIL:

Right to left under coil

Left to right under coil

6. SLOPING BOTTOM SLAT TO BE SUPPLIED ATTACHED TO THE CURTAIN?

YES NO (tick as appropriate) will be supplied attached if not specified

7. WILL THIS DOOR BE CONTROLLED BY A REMOTE CONTROL?

YES NO (tick as appropriate)

Please note if a bottom slat transmitter is required it will have to be installed on the side with the shorter guide rail.

8.

OUTSIDE

INSIDE

Please tick the appropriate box to indicate how the door will be installed.

SLOPING BOTTOM SLATS

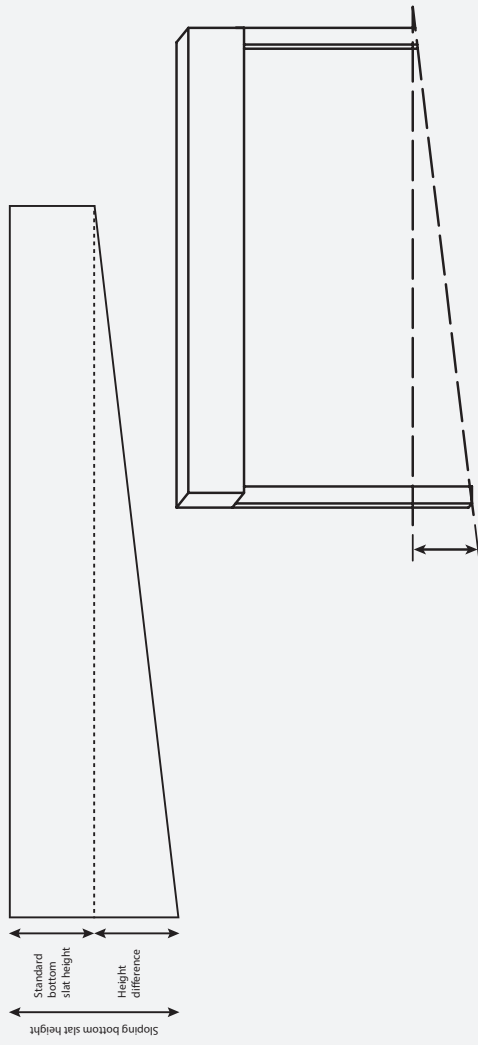
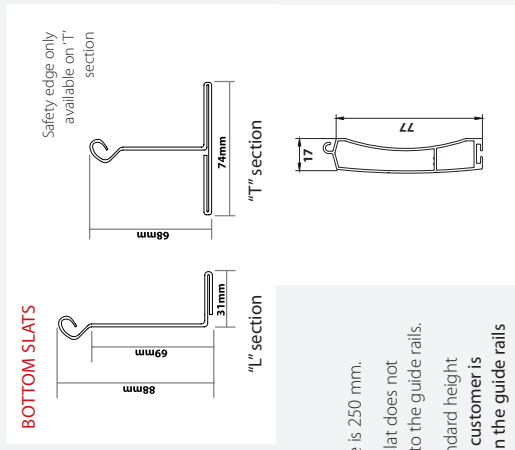
IMPORTANT INFORMATION REGARDING SURVEYING AND ORDERING

- MUST BE ORDERED USING THE ORDER FORM**
No orders will be accepted for sloping bottom slats unless they are ordered using the SWS UK sloping bottom slat order form. This will ensure you receive the product you require.
- NO BOTTOM SLAT LOCKS**
Unfortunately it is not possible for us to supply a sloping bottom slat with a bottom slat lock fitted.
- MAXIMUM WIDTH**
The maximum width for a sloping bottom slat is 5000 mm, this is the overall door width including guide rails.
- MAXIMUM HEIGHT DIFFERENCE (h)**
The maximum height difference (h) the sloping bottom slat can accommodate is 250 mm.

When surveying you must ensure that the total height of the sloping bottom slat does not exceed the box end size for the door or you will struggle to load the curtain into the guide rails.

*To obtain the total height of the sloping bottom slat you need to add the standard height of a bottom rail (69 mm) to your height difference. **You must also ensure your customer is aware that when the door is fully open the sloping bottom slat will remain in the guide rails reducing the clear height available.**

***sloping bottom slat height = Height difference (h) + standard bottom slat height**



ORDER FORM Fax: **(01524) 772411**
Tel: **(01524) 772400**
London Tel: **(020) 8540 1717**
Email: **orders@swsuk.co.uk**

Wicket Door Order Form

SeceuroDoor
Industrial Doors

SWS UK

Customer/job ref.

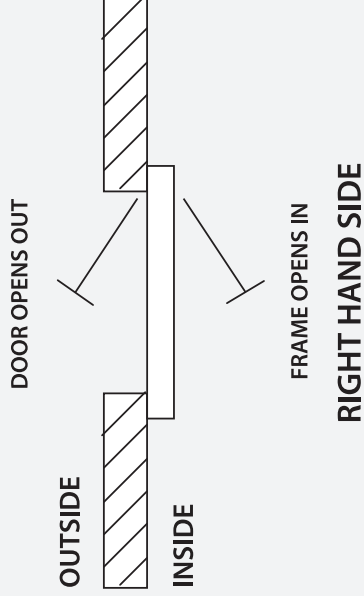
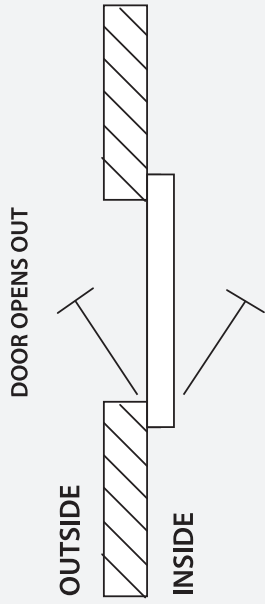
Purchase order no.

Order date

THIS ORDER FORM MUST BE RETURNED WITH A SECEURODOOR OR SECEUROSHIELD ORDER FORM WHEN A WICKET DOOR IS REQUIRED. ONLY AVAILABLE WITH SECEUROSHIELD TRADITIONAL 75, SECEURODOOR 75 AND SECEURODOOR 75C.

PLEASE ENSURE THAT YOU COMPLETE ALL FIELDS ON THIS FORM TO AVOID YOUR ORDER BEING DELAYED.

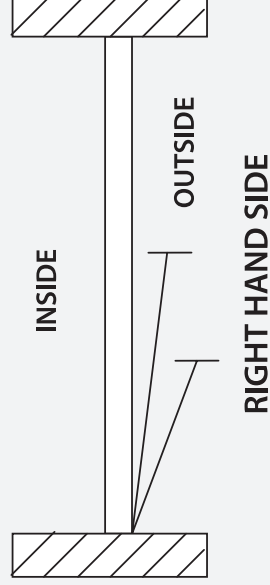
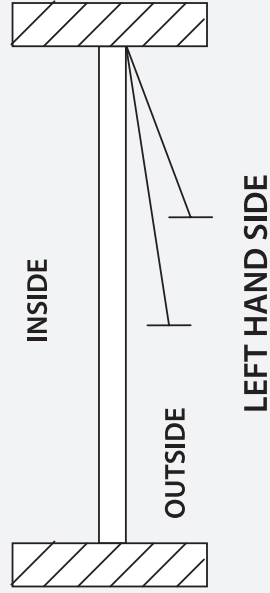
Internal Door



Please select door type:
 Standard 550 mm (w) x 1650 mm (h)
 Euro 750 mm (w) x 1875 mm (h)
 Internal
 External

Please select side of application:
 Left
 Right

External Door



Do you require an interlock?
 Yes
 No

Not available on external doors or reveal fit doors

Powder Coating

Introduction

Polyester powder coating is a surface finish applied to shutters and retractable gates in a solid, powder form after careful pre-treatment of the surface. The coating is fused by heat to produce a continuous film and curing of the coating gives its design properties. The result is a high performance finish that delivers exceptional corrosion protection, durability and resistance to yellowing making it suitable for both interior and exterior use. The process is virtually emission free, so is environmentally friendly.

Due to variations in our manufacturing process the guides and curtain may not be an exact match.

Features

- Typically 60-80 Microns coating thickness
- Excellent corrosion protection
- Superior colour stability
- Tough yet highly flexible

Extruded profiles and the aluminium shutter box profiles are powder coated in a satin finish (unless stated otherwise).

Gloss levels

Gloss (80% +/-5%): A highly reflective smooth surface. Gloss surfaces due to their highly reflective appearance tend to highlight surface imperfections.

Satin (65% +/-5%): A satin finish is not as reflective as the gloss finish and because of this is less likely to show any surface imperfections. Satin finishes also provide a good surface for cleaning and resisting abrasion. Unless stated otherwise this is the standard finish supplied.

Matt (30% +/-5%): A matt finish due to the low gloss level is very good at concealing surface imperfections. Due to the textured finish the surface is more difficult to clean than a surface with a higher gloss level.

Powder coating of the SeceuroDoor 100 will be to the external face only.

Touch-up paint

For repairing minor blemishes to the finish surface touch-up paint is available:

- Touch-up pen Code: PC006P1 – £17.71

PRICES FOR BOXES AND GUIDES FOR EACH BAND (per metre)	STD	A	B	C	D
Minimum powder coating charge		£65.00			
450 mm and smaller box and end plates (used if curtain does not require powder coating)	FOC	£31.48	£40.37	£49.25	POA
Guide rails and bottom slat to go with above	FOC	£6.46	£8.28	£10.10	POA
500 mm and larger box and end plates (used if curtain does not require powder coating)	FOC	£36.33	£46.58	£56.82	POA
Guide rails and bottom slat to go with above	FOC	£7.27	£9.32	£11.36	POA

All colours are supplied in Satin as standard, Matt & Gloss are available.

Looking for something different?

If you require assistance identifying or selecting a colour which does not appear on our list of stock colours we can supply you with a RAL or BS colour chart.



To see the full colour bands with the full range available visit www.sws.co.uk/ral-colour-chart

BAND A – £35 PER m² For complete shutter (or curtain) using a colour listed in the band below.

* FOC on SeceuroShield 75 box, guides and curtain

Beige RAL 1001	Oyster White RAL 1013	Cream* RAL 1015	Grey Beige RAL 1019	Gentian Blue RAL 5010	Light Blue RAL 5012	Moss Green RAL 6005	Iron Grey RAL 7011	Anthracite RAL 7016	Graphite Grey RAL 7024	Pale Grey RAL 7035	Agate Grey RAL 7038
Brown RAL 8014	Chestnut Brown RAL 8015	Chocolate Brown RAL 8017	Grey Brown RAL 8019	Grey White RAL 9002	Black* RAL 9005	White* RAL 9010	Graphite Black RAL 9011	Brilliant White* RAL 9016	Traffic Black RAL 9017	Grey Goose BS 00A005	Brown* BS 08B29

BAND B – £45 PER m²

Ivory RAL 1014	Oxide Red RAL 3009	Royal Blue RAL 5002	Navy Blue RAL 5011	Pale Blue RAL 5015	Fir Green RAL 6009	Pale Green RAL 6021	Dark Grey RAL 7015	Pale Grey RAL 7047	Clay Brown RAL 8003	Red Brown RAL 8012	Mahogany RAL 8016
Cream RAL 9001	Off White RAL 9003	Signal Black RAL 9004	Papyrus White RAL 9018	Sand Yellow RAL 1002	Olive Yellow RAL 1020	Signal Blue RAL 5005	Grey Blue RAL 5008	Pigeon Blue RAL 5014	Water Blue RAL 5021	Ochre Brown RAL 8001	Silk Grey RAL 7044

BAND C – £55 PER m²

Green Beige RAL 1000	Daffodil Yellow RAL 1007	Yellow RAL 1018	Signal Orange RAL 2010	Signal Red RAL 3001	Dark Red RAL 3011	Traffic Red RAL 3020	Dark Blue RAL 5003	Capri Blue RAL 5019	Ocean Blue RAL 5020	Leaf Green RAL 6002	Black Olive RAL 6015
May Green RAL 6017	Mint Turquoise RAL 6033	Telegrey RAL 7046	Olive Brown RAL 8008	Orange brown RAL 8023	Lemon Yellow RAL 1012	Night Blue RAL 5022	Distant Blue RAL 5023	Reseda Green RAL 6011	Copper Brown RAL 8004	Beige Brown RAL 8024	Poppy Red BS 04E53

Notes

Notes

Contact us

HOW TO ORDER

By fax 01524 772411 (orders only)
Online www.sws.co.uk
By email orders@swsuk.co.uk
By post SWS UK, Hornby Road, Claughton Lancaster LA2 9LA

Please photocopy the order form provided within this brochure, additional copies available upon request.

SPECIAL REQUIREMENTS

If you cannot find the product that you require in our price list please call our trade sales department and we will endeavour to help you.

CUSTOMER SERVICES

01524 772401
01524 772422
01524 772424

Or email customerservice@swsuk.co.uk

This team will be on hand to deal with NCRs, customer services queries and quotations

TECHNICAL SUPPORT TEAM:

01524 772426 01524 772428 01524 772402

Or email technical@swsuk.co.uk

Out of hours site technical queries 07779 314226

This team will help you with all technical calls

SALES TEAM:

01524 772420

Or email sales@swsuk.co.uk

OTHER USEFUL CONTACTS AND NUMBERS

Marketing Department	01524 772413
Accounts Department	01524 772418
Accounts Department Fax	01524 772412
General Fax	01524 772411
Transport	01524 772415

OFFICE HOURS

Over the years we have tried to align our opening hours with the preferences of our customers. Starting early is intended to enable customers to resolve any issues before starting their day's work.

Monday to Thursday	8.15am to 5.00pm
Friday	8.15am to 3.45pm
Out of hours site technical queries	07779 314226

To help improve our levels of customer service and to assist with training, calls may be recorded.

SWS UK Head Office Hornby Road, Claughton, Lancaster, Lancashire LA2 9LA
t: 01524 772400 **f:** 01524 772411 **e:** sales@swsuk.co.uk **w:** www.sws.co.uk

SWS UK London 56 Windsor Avenue, Merton, London SW19 2RR
t: 020 8540 1717 **f:** 01524 772411 **e:** sales@swsuk.co.uk

The importance of conformity and CE marking

To comply with the Machinery Directive both the shutter and the motor and controller used in the installation must have a **Declaration of Performance** from the manufacturer.

On completion of the installation the installer must provide a **Declaration of Conformity** and apply a CE mark giving details of the installations to the shutter / motor and controller combination, which is now classed as a machine.

The installer must issue to the customer a Declaration of Conformity, operating and maintenance instructions on the completion of the installation.

The installer must hold copies of both the Declaration of Performance and the Declaration of Conformity on a technical file for inspection by the relevant authorities.

If any of the above requirements are not fulfilled the installation is illegal.

Please ensure for your own safety and peace of mind that whoever installs your electric motor and controller is both willing and able to fulfil these requirements; if they are not – do not use them.

As a member of the DHF we CAN and WILL install your motor and controller safely and legally.

Peace-of-Mind Warranties

All SeceuroDoor products are guaranteed against defect of material or workmanship by SWS UK, subject to correct installation, maintenance and operation, for a period of 1 year from the date of purchase. All motors carry a 1 year guarantee. The Somfy Motor carries a 5 year guarantee.

